

# Commercial Door Manufacturing, Inc.

2914 Girard NE Albuquerque, NM 87107

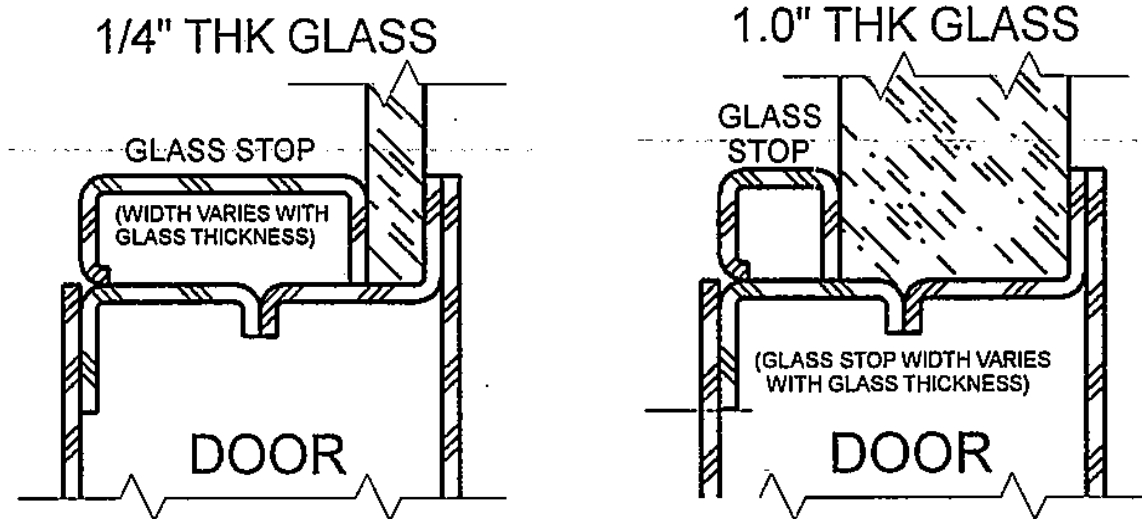
CommercialDoorMfg.com

505-881-1034

(fax) 505-884-1484

## Lite Kits

- Integral Lite Kits
  - 1/4" to 1" Glass



- Cut out only provided with inside channel. Dealer to provide manufactured Lite Kit.